

Omni-Block Swivel Pulleys

Sizes 1.1, 1.5, 2.0

Omni 1.5 Single, 1.5 Double & 2.0 Single are CE certified
CE 0120 EN12278

Patented

Manufactured in USA using domestic & foreign materials

WARNING!

For expert use only!

- These activities are inherently dangerous and carry a significant risk of injury or death that cannot be eliminated.

- It is the user's responsibility to obtain specific training and to use it safely. These instructions DO NOT tell you everything you need to know.

- Do not use unless you can and will understand and assume all risks and responsibilities for all damage/injury/death that may result from use of this equipment or the activities undertaken with it.

- Any device is subject to failure-carefully check before and after each use.

- You must always have a backup-never trust a life to a single tool.

- Everyone using this equipment must be given and thoroughly understand the instructions and refer to them before each use.

- You must have a rescue plan and the means to implement it. Inert suspension in a harness can quickly result in death!

- Do not use around electrical hazards, moving machinery or near sharp edges or abrasive surfaces.

- We are not responsible for any direct, indirect or accidental consequences or damage resulting from the use of our products.

rockexotica.com

rock exotica equipment LC

POB 160470

Freeport Center, F-11

Clearfield, UT 84016

USA

801 728-0630

PS1500 6/2011 A

INTRODUCTION

Thank you for purchasing this Rock Exotica product. The Omni-Block combines a pulley with a swivel and offers tremendous advantages. It can replace a conventional pulley, carabiner & swivel and is lighter, less expensive and saves valuable vertical space. It also allows installing/removing the rope while the pulley is still anchored, which prevents dropping it & is often easier when rigging mechanical advantage systems. It does require that the user understand how it works and takes responsibility for making sure the sideplates are closed & locked.

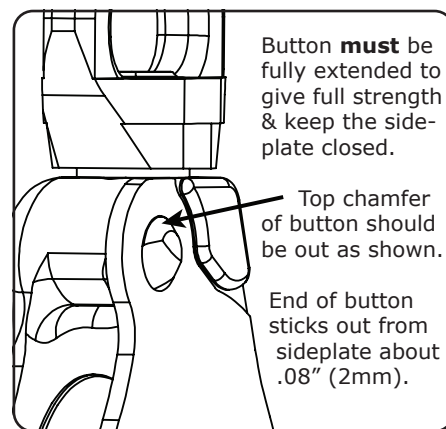
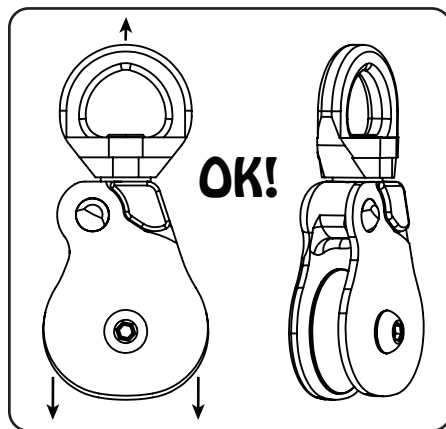
Strength: In a single pulley, half the load is on one side of the rope and half is on the other. The total load on the pulley is thus 2x the mass that is being raised or lowered. In a double pulley the total load is 4x the load on the 4 individual ropes. This is illustrated on the pulley. Breaking Strength & Working Load are based on this equal loading. **If the sideplate is not fully locked by the button, the strength will be severely reduced, to about 10kN, but also, the rope may fall out.** Pulleys must be free to align with the load, **any restraint is dangerous.**

Working Load Limit: Is based on about a 4:1 safety factor. You must decide if that is sufficient in your situation or if you need to adjust the WLL.

	Omni 1.1	Omni 1.5	Omni 2.0
	1.1" (28mm)	1.5" (38mm)	2.0" (51mm)
Max Rope	13mm	13mm	13mm
Strength	23kN	36kN	36kN
WLL	5kN	8kN	8kN
Height*	4.3" (109mm)	5.3" (135mm)	5.8" (148mm)
Width	2" (51mm)	2.5" (63mm)	3" (76mm)
Weight, single	4.9 oz (140gm)	9.2 oz (256gm)	12.3 oz (344gm)
Weight, double	8.0 oz (230gm)	14.5 oz (407gm)	18.5 oz (517gm)

* Height is for the single pulley; the double is longer by the becket length, about 1.1" (28mm)

Views shown are of the single & front side of the double. The back side of the double is reversed from these views.

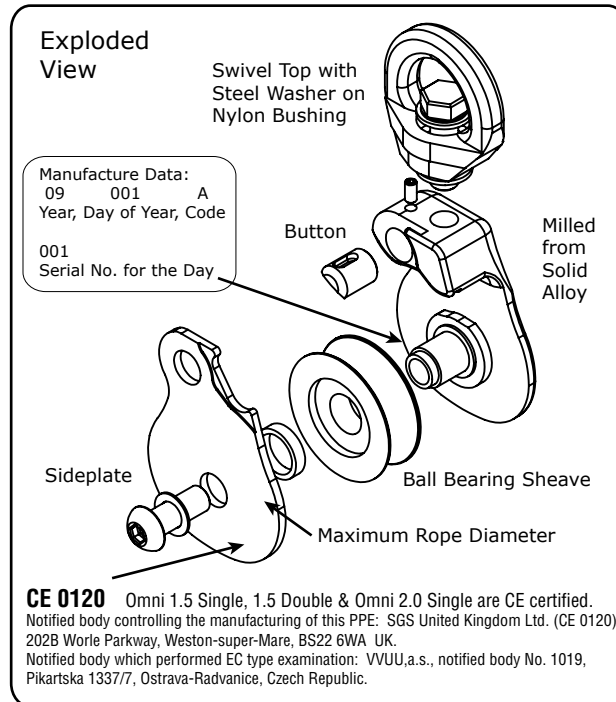


! Mandatory Locking Procedure !

The sideplate must be closed and locked with the button fully extended, or strength will be greatly reduced and the rope may fall out with catastrophic results. You must understand how the sideplate & locking button work & must faithfully do the following every time you use it:

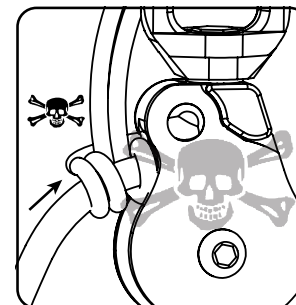
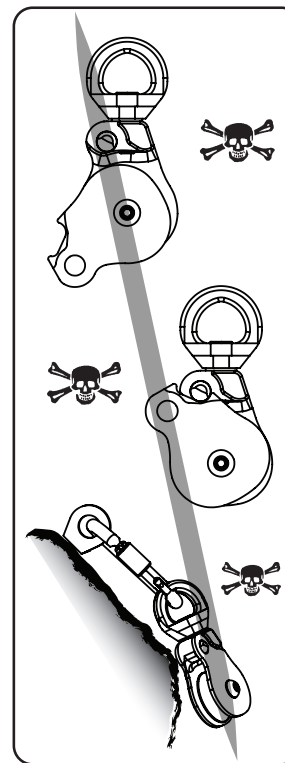
1. **Visually** confirm the sideplate is fully closed and the locking button is fully extended.
2. **Test** the sideplate by attempting to rotate it to confirm by touch that it is locked.

Do not allow anything to contact the button in use. Regularly check that the sideplate is locked and the pulley is positioned properly. If the pulley cannot be kept in sight, use a conventional pulley.



Stay Up To Date!

Regularly go to our website and read the latest user instructions.



Prusik Use - Caution!
Prusiks must always have an experienced person tending them. **Never allow a jammed Prusik to be pulled in between the sideplates. This can bend or break the pulley and allow the rope to fall out!**

Breakage Hazard
Do not let an object in between the sideplates and never rig your system so that the pulley is forced against something that could bend or open the sideplate, allowing the rope to fall out.

PURCHASE RECORD	
Model	
Complete Batch #	
Year of Manufacture	
Purchase Date	
Date of 1st Use	
User	

To Open Sideplate

Depress the button & rotate sideplate counterclockwise (clockwise for the back side of the double). It should stop at the 2nd button detent. In this position the strength is severely reduced, but the rope will not fall out as easily as it can in the fully open position. To fully open, just depress the button again & rotate.

To Close Sideplate

Rotate sideplate past the 2nd detent to the fully closed position. Verify the button extends fully through the hole & test that the sideplate is really locked & secure.

You should be able to close it one-handed, but the components will last longer if you depress the button a little to help it when closing.

In Use

Do not allow anything to press button & accidentally unlock sideplate. Do not allow anything to pry the sideplates apart, or opening or breakage may occur.

Pinching Hazard

Rope travelling through a pulley can suck in hair, fingers, clothing, etc., causing injury & jamming the pulley. Guard against this.

Inspect Before & After Use

Check all parts for cracks, deformation, corrosion, wear, etc. Verify that the sideplate rotates normally & the button operates properly. The button must not be impaired by dirt, ice, corrosion, etc. Verify smooth rotation of the sheave.

Inspection During Use

Regularly inspect and monitor your system, confirming proper connections, position, fully locked sideplates & fully extended buttons.

Intended Use

This Personal Protective Equipment (PPE) should only be used with energy absorbing systems such as dynamic ropes, energy absorbers, etc. & slack must be kept out of the system to prevent high impact falls. It is intended for use by medically fit, specifically trained and experienced users.

Thorough and specific training is absolutely essential before use.

Being at height is dangerous and it is up to you to reduce the risks as much as possible - but the risks can never be eliminated. There are many ways to misuse this equipment, too many to list or imagine. You must personally understand and assume all risks and responsibilities of using this equipment. If you cannot or do not want to do this, do not use this equipment.

Environmental Factors

Moisture, ice, salt, sand, snow, chemicals and other factors can prevent proper operation or can greatly accelerate wear.

Compatibility

Verify compatibility with other components of your system. Incompatible connections can cause detachment, breakage, etc.

Lifetime

10 years maximum, but will often be much less depending on conditions and use; it could even be a single use in some cases.

Retire from Service & Destroy if it:

1. Is significantly loaded.
 2. Does not pass inspection or there is any doubt about its safety.
 3. Is misused, altered, damaged, exposed to harmful chemicals, etc.
 4. Button fails to extend fully.
- Consult the manufacturer if you have any doubts or concerns.

Maintenance & Storage

Clean if necessary with fresh water, then allow to dry completely. The button may be cleaned by holding it upside down & spraying a light lubricant into it while operating it. Store in a dry place away from extremes of heat and cold and avoid chemical exposure.

Principal Material

Aluminum alloy, anodized.

Repairs or Modifications to Equipment

Are only allowed by the manufacturer or those authorized in writing by the manufacturer.

Detailed Inspection

In addition to inspection before, during and after each use, a detailed inspection by a competent inspector must be done at least every 3 months or more frequently depending on amount and type of use. Make a copy of these instructions and use one as the permanent inspection record and keep the other with the equipment.

It is best to issue new gear to each user so they know its entire history.

Special Options

The standard Omni-Block serves the needs of most users. For specialized uses the Omni is also available with these options:

One-Way Sheaves

The Omni 2.0 single & double are available with one-way sheaves. The rotation direction is marked on the sideplate. It is used when it is desirable to have more friction for lowering or holding a load. Inspection must include checking for smooth rotation in one direction & no rotation in the other.

Stainless Sheaves for Cable

Available on the Omni 1.5 single (others by special order). This can be used with rope as well as wire cable, but be sure cable use has not created burrs that will harm rope.

Shackle Top

A swiveling shackle top can be ordered in place of the standard swivel eye. This saves vertical height but takes longer to install/remove & you must be careful that your anchor is compatible with the shackle. Shackle top Omni's come with a supplemental instruction sheet - be sure you have it & read it!